



shur-loc[®]

“E-Z” Frame System
RETENSIONABLE

No
strips, glue,
grinding or
retensioning
bolts!

Parts of the shur-loc[®] “E-Z” Frame & Stretcher

Fig. 1

1. shur-loc[®] mesh panel
2. shur-loc[®] “E-Z” Frame
3. Long tensioning bar (x2)
4. Short tensioning bar (x2)
5. Coarse mesh connector
6. Safety bar
7. Stretcher handle
8. Mesh release bar

Leave flat to tension - Flip up to release - see Fig. 4



Fig. 2

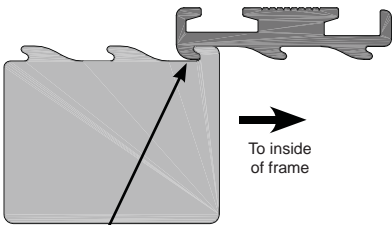


Fig 2a
Tension bar positioned on hook 1.

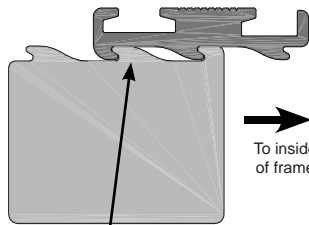


Fig 2b
Tension bar positioned on hook 2.

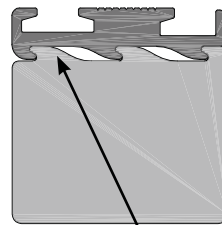
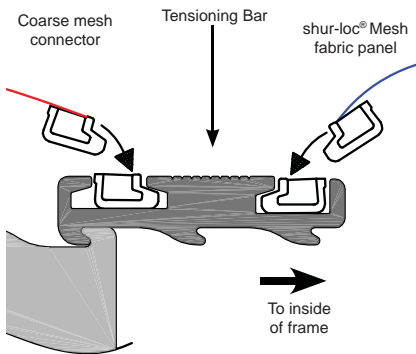


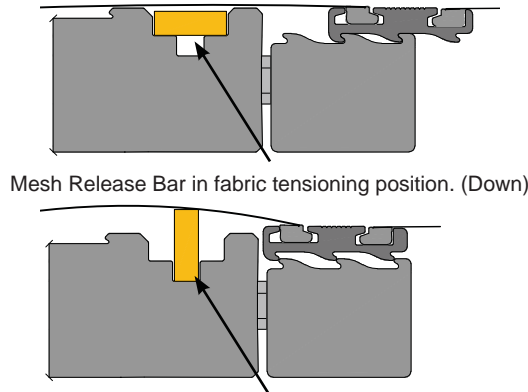
Fig 2c
Tension bar positioned on hook 3.

Fig. 3



“E-Z” Frame

Fig. 4



Mesh Release Bar in fabric release position. (Up)

Mesh Count Color Guide

17-60	white
83	pink
110	grey
123	white
137	orange
156	blue
175	yellow
195	brown
230	green
255	black
280	purple
305	red
330	white
355	tan
380+	white



No strips, glue, grinding or retensioning bolts!

How to stretch the shur-loc® "E-Z" Frame

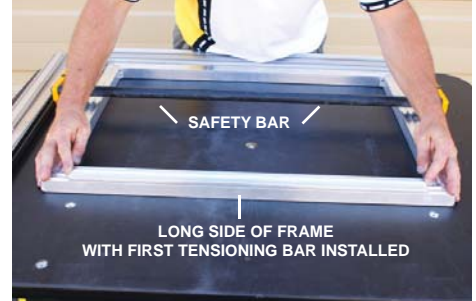
Before you begin:

READ OTHER SIDE FIRST

Parts of the "E-Z" Frame & Stretcher
 Figures 1, 2, 3 and 4 are found on the reverse side of this page.

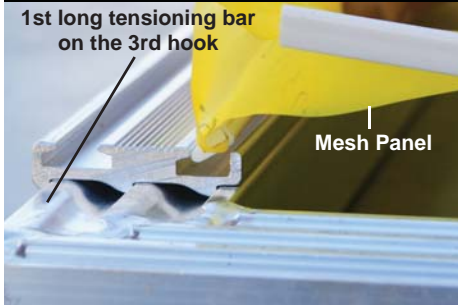
For frame assembly instructions, please read the "How to assemble the shur-loc® "E-Z" Frame" sheet or review the instructions on your frame's box.

STEP 1



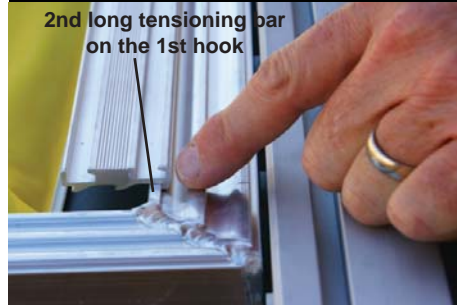
Slide the frame under the safety bar (Fig 1) and center in the stretcher. Place one of the longer tensioning bars on the 3rd hook (Fig 2c) of the frame, making sure it is centered on the frame.

STEP 2



Place the shur-loc® panel under the safety bar. Insert the panel into the inner extrusion on 1st tensioning bar (Fig 3) on the far side of the frame.

STEP 3



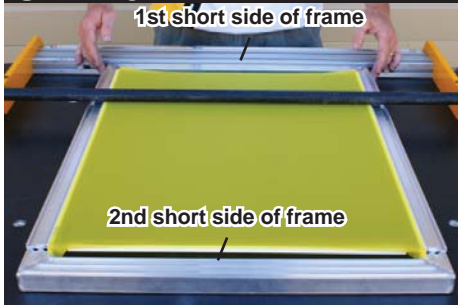
Attach the 2nd long tensioning bar to the 1st hook (Fig 2a) on the opposite side of the frame and insert the shur-loc® panel (Fig 3).

STEP 4



To tension, attach the coarse mesh connector to the tensioning bar (Fig 3) and slowly pull the handle down until the bar locks to the 3rd hook (Fig 2c) on the frame.

STEP 5



Rotate the frame. Attach the 1st short side tension bar to the 1st or 2nd hook (Fig 2a/b) and insert the shur-loc® panel (Fig 3).

STEP 6



Rotate the frame to the opposite side. Attach the final tensioning bar, insert the shur-loc® panel (Fig 3) and tension to the 3rd hook (Fig 2c).

STEP 7



Rotate back to the 1st short side tension bar and tension to the 3rd hook (Fig 2c).

Your shur-loc® "E-Z" Frame is now ready for production.

The complete line of "E-Z" Accessories is available at shurloc.com



shur-loc® Fabric Panels - shur-loc® Fabric Protectors - shur-loc® PMI Split Tape - shur-loc® "E-Z" Retensioning Bars

(360) 805-4140 • www.shurloc.com • fax: (360) 805-4141